

IR-TA SERIES HAND-HELD TYPE DIGITAL INFRARED THERMOMETER



- **MODELS** IR-TAS (-40 to 500°C)
IR-TAF (-30 to 350°C)

The IR-TA series hand-held type thermometer measure temperature quickly from a distance - without contact.

Ideal for applications in fields such as refrigeration show cases, transportation, storage, electronic / mechanical parts, food processing, construction, power facilities, etc.



IR-TAS

IR-TAF

■ FEATURES

- Laser sight pinpoints measured spots. (IR-TAS)
- Automatic backlit LCD display at dark places by a brightness sensor (IR-TAS)
- Palm size, light weight (IR-TAS: 220g, IR-TAF: 160g)
- Automatic power off for saving battery life

- Maximum or minimum temperature display
- Audible buzzer high alarm standard (IR-TAS)
- Emissivity adjustable
0.30 to 1.90 in 0.01 steps (IR-TAS)
0.8, 0.95 and 1.00 (IR-TAF)

■ KEY FUNCTIONS

IR-TAS

Brightness Sensor

For automatic-backlit LCD display at dark places

Display

Current reading, maximum reading, minimum reading, emissivity setting, alarm point, low battery

Mode key

Selects display of current reading, maximum reading or minimum reading.

Entry key

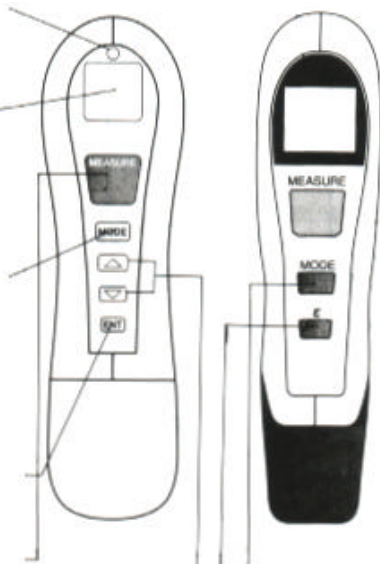
Registration of set value

Measurement key

Indicates the current reading while the key is being pressed and hold reading for 30 seconds after the key is released.

Up/Down key

Emissivity setting.



Mode key

Selects display of current reading, maximum reading or minimum reading.

key

Selects emissivity.

■ DISPLAY

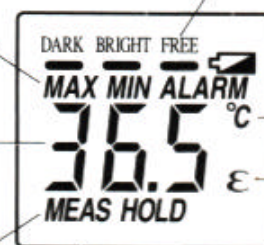
Emissivity selection

DARK: 0.95 BRIGHT: 0.80 STD: 1.00 (IR-TAF), FREE: 0.30 to 1.90 (IR-TAS)

Status

MAX: Maximum reading
MIN: Minimum reading
ALARM: Alarm status (IR-TAS only)

Readings
Emissivity
Alarm set



Low battery indication
Brink on low battery

Measuring unit

Emissivity

Measurement status

MEAS: Indicate current reading.
HOLD: Hold reading

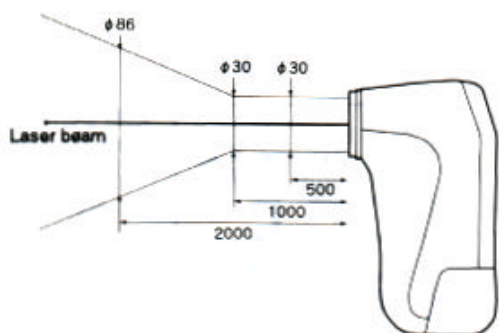
■ AUXILIARY PRODUCTS (OPTION)

- Black body tape (Emissivity 0.94)
Temperature range: 0 to 300°C
Size: 200 x 200mm

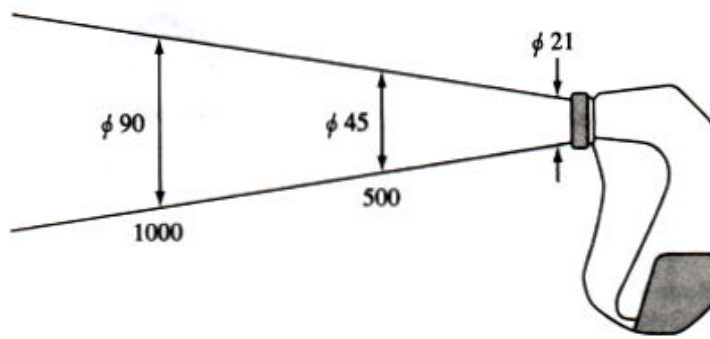
■ GENERAL SPECIFICATIONS

	IR-TAS	IR-TAF
Temperature Range	-40 to 500°C	-30 to 400°C
Detector	Therm opile	
Spectral Range	8 to 14- μ m	—
Target Size	o30/100mm	o45/500mm
Accuracy	$\pm 1\%$ of reading or $\pm 2^\circ\text{C}$, whichever larger, $\pm 5^\circ\text{C}$ at lower than 0°C	$\pm 1\%$ of reading or $\pm 2^\circ\text{C}$, whichever larger, $\pm 3^\circ\text{C}$ for -30 to 0°C (at ambient temperature 25°C)
Repeatability	Within 1°C	
Response Time	0.8 second (90% response)	
Display	LCD 3 figures display	
Resolution	0.1°C at -19.9 to 99.9°C , 1°C except this range	
Output renewal cycle	0.25 seconds	
Collimation	Marking center of measuring spot by laser beam	Check with your eye
Beam Diameter	About 5mm at 1 m distance	Not available
Beam Output	Less than 1mW (670 nm), JIS class 2	Not available
Display Contents	Current reading, maximum reading, minimum reading, reading unit, measurement status, emissivity setting, alarm setting, low battery	Current reading, maximum reading, minimum reading, reading unit, measurement status, emissivity value selected, low battery
Power Off	Automatic power off after 30	seconds when hold the reading
Alarm	Audible buzzer high limit, optional low limit	Not available
Emissivity	DARK 0.95 BRIGHT: 0.80 FREE: 0.30 to 1.90 (1.00 default)	DARK 0.95 BRIGHT: 0.8 STD: 1.00
Display Illumination	Automatic backlit LCD by brightness sensor	Not available
Operating Temperature Ambient	0 to 50°C	
Storage Temperature Ambient	-20 to 55	
Operating and Storage Temperature Ambient	Lower than 90%RH (No dew condensation)	
Power	Alkali AA (UM-3) battery, 2 pieces	
Battery Life	About 50 hours continuous operation	About 70 hours continuous operation
Size	92Wx155Hx44Dmm	81Wx142Hx32Dmm
Weight	About 220g	About 160g
Belonnlnns	Alkali AA (UM-3) battery 2 pieces Soft vinyl case	Alkali AA (UM-3) battery 2 pieces Soft vinyl case

■ DISTANCE TO SPOT SIZE



IR-TAS



IR-TAF

Unit : mm

CAUTION

Please do not aim or direct laser toward faces. On measurement of targets like as glossy metal, be careful with influences by the reflection from it.

Specifications subject to change without notice. Original 2000.12

CHINO CORPORATION

32-8, KUMANO-CHO, ITABASHI-KU, TOKYO 173-8632

PHONE: +81-3-3956-2171

FAX: +81-3-3956-0915

E-mail: inter@chino.co.jp

Website: <http://www.chino.co.jp>